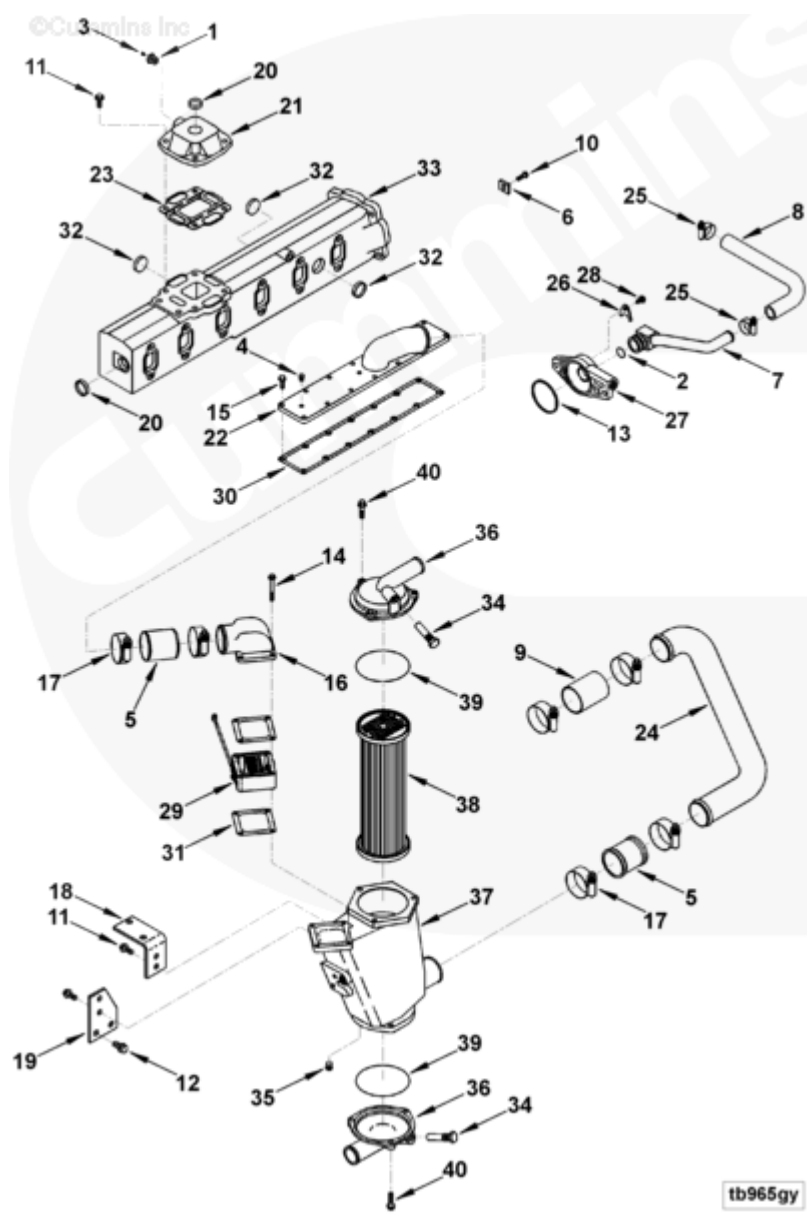




## Parts Catalog - Option Detail

Electronic Parts Catalog - Option Detail				
Option	Group	Graphic	Film Card	Date
TB90031-02	10.06.1	tb965gy	T	27-JAN-03
<b>Engines</b>	4B3.9, 6A3.4, 6B5.9, B GAS INTERNATIONAL CM556, B4.5, B4.5 CM2350 B129B, B4.5 CM2350 B146C, B4.5 CM2350 B147B, B4.5 RGT, B4.5S, B5.9 G, B5.9 GAS PLUS CM556, B5.9 LPG, B5.9 LPG PLUS CM556, B6.7 CM2350 B121B, B6.7 CM2350 B135B, B6.7 CM2350 B136C, B6.7 CM2350 B148B, B6.7 G CMOH6.0 B125, B6.7N CM2380 B150B, B6.7S, F3.8 CM2350 F120B, F3.8 CM2350 F128C, F3.8 CM2350 F132B, F3.8 F102, G3.9, G5.9, G5.9 CM558, ISB (CHRYSLER), ISB CM2150, ISB CM2150 E, ISB CM550, ISB CM850, ISB/ISD4.5 CM2150 B119, ISB/ISD4.5 CM2150 SN, ISB/ISD6.7 CM2150 B120, ISB/ISD6.7 CM2150 SN, ISB/ISD6.7 CM2880 B126, ISB3.9 CM2220 B107, ISB4.5 CM2150, ISB5.9G CM2180, ISB6.7 2010 DCX PICKUP, ISB6.7 2013 DCX CHASSIS CAB, ISB6.7 CM2150 SQ, ISB6.7 CM2250, ISB6.7 CM2350 B101, ISB6.7 CM2350 B103, ISB6.7 CM2350 B142, ISB6.7 CM2670 B153B, ISB6.7 G CM2180 B118, ISBE CM2150, ISBE CM800, ISBE2/ISBE3 CM850, ISBE4 CM850, ISD4.5 CM2150, ISD6.7 CM2880 D101, ISF2.8 CM2220, ISF2.8 CM2220 AN, ISF2.8 CM2220 EC, ISF2.8 CM2220 ECF2, ISF2.8 CM2220 F101, ISF2.8 CM2220 F117, ISF2.8 CM2220 F122, ISF2.8 CM2220 F126, ISF2.8 CM2220 F129, ISF2.8 CM2220 IAN, ISF3.8 CM2220, ISF3.8 CM2220 AN, ISF3.8 CM2220 F103, ISF3.8 CM2220 F110, ISF3.8 CM2220 F116, ISF3.8 CM2220 F134B, ISF3.8 CM2220 IAN, ISF3.8 CM2350 F109, ISF4.5 CM2220 F123, ISG11 CM2880 G106, ISG11 CM2880 G108, ISG12 CM2880 G107, ISG12 CM2880 G109, ISG12 G CMOH6.0 G111, QSB3.9 30 CM550, QSB3.9 CM2880 B138, QSB4.5 30 CM550, QSB4.5 CM2150 B108, QSB4.5 CM2250 B131, QSB4.5 CM2250 EC, QSB4.5 CM2350 B106, QSB4.5 CM2350 B122			



SMALL | MEDIUM | LARGE

Cart	Ref No	Part Number	Part Description	Required	Remarks
View My Cart					
		TB90031-02	Turbocharger Location		Turbocharger Location...(More)
					Engine Family: "B" Series
					Cylinders: 6
					Exhaust Outlet Location:
					RMSO
					Aspiration: Sea Water
					Aftercooled
					Crossover Routing: Low Rear
					Oil Supply

					Routing: Inboard
					Exhaust Manifold Type: Wet
					Turbine Outlet Flange Type:
					4 Bolt
					Turbocharger Type: Non-
					Wastegate
					Structure Code: 02 EBM
					Requires Air Heater: Yes
					Intake Cover Opening
					Position: Rear
					Compressor Outlet Flange
					Type: Hose Bead
					Base Turbocharger ID17
					Number: 3536620
					Turbocharger Exhaust Loc From
					Front Face Of Block(mm): 912
					Exhaust Vert From Crank
					Centerline (mm): 337
					Exhaust Horizontal Crank
					Centerline (mm): 211.4
					Cylinder Head Type: Standard
					Required Engine BHP: >/= 220
					BHP
					Mounting Studs Provided:
					No
					Turbocharger Drain Location:
					Rear Drain
					Turbocharger Drain Tube Type:
					Rigid

					Notes to CMC/DEP Manf:
					Air heater ground cable
					oriented toward rear of
					engine and attached to intake
					manifold cover mounting
					capscrew.
					Direction of Air
					Heater Pos Terminals: Front
					Intake Cover Provided: Yes
					Intake Connection
					Orientation: Horizontal
					Compressor Outlet Fixed
					Location(deg): Bearing
					Housing
					Manufacturer:
					Holset
					Turbocharger Model: HX40
<input type="checkbox"/>	1	S 931 C	Reducing Pipe Bushing	1	
<input type="checkbox"/>	2	145530	O-Ring Seal	1	
<input type="checkbox"/>	3	3008465	Pipe Plug	1	1/8 NPT
<input type="checkbox"/>	4	3031511	Pipe Plug	2	1/8 NPT
<input type="checkbox"/>	5	3866540	Plain Hose	2	
<input type="checkbox"/>	6	3897037	Retaining Clamp	1	
<input type="checkbox"/>	7	3897088	Water Transfer Tube	1	
<input type="checkbox"/>	8	3897267	Elbow Hose	1	
<input type="checkbox"/>	9	3897502	Plain Hose	1	
<input type="checkbox"/>	10	3900631	Hexagon Flange Head Cap Screw	1	M8 X 1.25 X 25.
<input type="checkbox"/>	11	3902460	Hexagon Flange Head Cap Screw	8	M10 X 1.50 X 25.
<input type="checkbox"/>	12	3910495	Hexagon Flange Head Cap Screw	2	M12 X 1.75 X 30.
<input type="checkbox"/>	13	3910530	Rectangular Ring Seal	1	

<input type="checkbox"/>	14	<a href="#">3966976</a>	Hexagon Flange Head Cap Screw	4	M8 x 1.25 x 65
<input type="checkbox"/>	15	<a href="#">3918109</a>	Hexagon Flange Head Cap Screw	14	M8 x 1.25 x 25
<input type="checkbox"/>	16	<a href="#">3918310</a>	Air Crossover Connection	1	
<input type="checkbox"/>	17	<a href="#">3918521</a>	Hose Clamp	6	59 - 83 mm
<input type="checkbox"/>	18	<a href="#">3919858</a>	Aftercooler Bracket	1	
<input type="checkbox"/>	19	<a href="#">3919859</a>	Aftercooler Bracket	1	
<input type="checkbox"/>		<a href="#">3920946</a>	Water Transfer Connection	1	
<input type="checkbox"/>	20	<a href="#">3007636</a>	Expansion Plug	1	
	21	<a href="#">3920945</a>	Water Transfer Connection	1	
<input type="checkbox"/>	22	<a href="#">3921016</a>	Intake Manifold Cover	1	
<input type="checkbox"/>	23	<a href="#">3921926</a>	Turbocharger Gasket	1	
<input type="checkbox"/>	24	<a href="#">3922665</a>	Air Tube	1	
<input type="checkbox"/>	25	<a href="#">3922844</a>	Hose Clamp	2	
<input type="checkbox"/>	26	<a href="#">3924933</a>	Retaining Clamp	1	
<input type="checkbox"/>	27	<a href="#">3924937</a>	Water Transfer Connection	1	
<input type="checkbox"/>	28	<a href="#">3925883</a>	Hexagon Flange Head Cap Screw	1	M8 X 1.25 X 16
<input type="checkbox"/>	29	<a href="#">3929108</a>	Intake Air Heater	1	
<input type="checkbox"/>	30	<a href="#">3938152</a>	Intake Manifold Cover Gasket	1	
	31	<a href="#">3938158</a>	Connection Gasket	2	Replace With 3969988
<input type="checkbox"/>		<a href="#">4019951</a>	Exhaust Manifold	1	
<input type="checkbox"/>	20	<a href="#">3007636</a>	Expansion Plug	1	
<input type="checkbox"/>	32	<a href="#">3908092</a>	Expansion Plug	3	
	33	<a href="#">4019950</a>	Exhaust Manifold	1	
<input type="checkbox"/>		<a href="#">4019968</a>	Aftercooler	1	
<input type="checkbox"/>	34	<a href="#">68241</a>	Zinc Electrode Plug	2	1/2 NPTF X 2"
<input type="checkbox"/>	35	<a href="#">3278093</a>	Pipe Plug	1	1/4 NPT
<input type="checkbox"/>	36	<a href="#">4019969</a>	Water Transfer Connection	2	
<input type="checkbox"/>	37	<a href="#">4019970</a>	Aftercooler Housing	1	
<input type="checkbox"/>	38	<a href="#">4019971</a>	Aftercooler Core	1	

<input type="checkbox"/>	39	<a href="#">4019975</a>	O-Ring Seal	2	
<input type="checkbox"/>	40	<a href="#">4058183</a>	Hexagon Flange Head Cap Screw	6	

© 2019 Cummins Inc., Box 3005, Columbus, IN 47202-3005 U.S.A.  
Terms of Use and Disclaimers | Recommended System Requirements  
Need Assistance? Please click on the Contact Us button in the top right corner of any page.